



**DL3750+**  
**DOT MATRIX PRINTER**  
**PARTS CATALOGUE**

FUJITSU ISOTEC LIMITED

<b>REVISION RECORD</b>			
<b>Edition</b>	<b>Date published</b>	<b>Page</b>	<b>Revised contents</b>
01	February 2004		First issue
Specification No. P3KA02008-B001/E			

The contents of this manual may be revised without prior notice.

All Rights Reserved, Copyright © 2004 FUJITSU ISOTEC LIMITED.

Address your comments and inquiries on this manual to:

***North American Contact:***

FUJITSU CANADA INC.  
6975 Creditveiw Road, Unit 1,  
Mississauga,  
Ontario L5N 8E9, CANADA  
Phone: (1-905) 286-9666  
Fax : (1-905) 286-5977

***European Contact:***

FUJITSU EUROPE LTD.  
Hayes Park Central,  
Hayes End Road,  
Hayes,  
Middlesex UB4 8FE, U.K.  
Phone:(44-20)8573-4444  
Fax:(44-20)8573-2643

FUJITSU DEUTSCHLAND GmbH  
Frankfurter Ring 211,  
80807 Munchen, Germany  
Phone:(49-89)32-378-0  
Fax:(49-89)32-378-100

FUJITSU ITALIA S.p.A.  
Via Nazario Sauro, 38  
20099 Sesto S. Giovanni (MI), Italy  
Phone: (39-02)26294-1,  
Fax: (39-02)26294-201

FUJITSU ESPANA, S.A.  
Camino Cerro de los Gamos, 1-28224  
Pozuelo de Alarcon, Madrid, Spain  
Phone: (34-91)784-9000,  
Fax: (34-91)784-9266

***Australian Contact:***

FUJITSU AUSTRALIA LTD.  
Fujitsu House 2 Julius Avenue  
North Ryde N.S.W. 2113, Australia  
Phone:(61-2)9776-4555  
Fax:(61-2)9776-4556

***Asian Contact:***

FUJITSU HONG KONG LTD.  
10F., Lincoln House, 979 King's Road, Taikoo  
Place,  
Island East, Hong Kong  
Phone:(852) 2827-5780  
Fax:(852) 2827-4724

FUJITSU TAIWAN LTD.  
19th FL., No. 39, 1 Sec. Chung Hwa Rd.,  
Taipei, Taiwan R.O.C.  
Phone: (886-2)2311-2255  
Fax : (886-2)2311-2277

FUJITSU SYSTEMS BUSINESS (THAILAND) LTD.  
12th Fl., Olympia Thai Tower, 444 Rachadapisek  
Road,  
Samsennok Huay Kwang, Bangkok 10320,  
Thailand  
Phone: (66-2)500-1500  
Fax : (66-2)500-1515

FUJITSU ASIA PTE. LTD.  
20 Science Park Road #03-01, Tele Tech Park II  
Singapore 117674  
Phone: (65)6777-6577  
Fax : (65)6771-5502

FUJITSU PHILIPPINES, INC.  
2nd Fl., United Life Bldg., A.Arnaiz,  
Legaspi Village, Makati, Metro Manila, Philippines  
Phone: (63-2) 812-4001  
Fax : (63-2) 817-7576

This document is used for maintenance purpose only.

The illustration of the part does not guarantee its availability.

This is parts catalogue for the DL3750+ DOT MATRIX PRINTER.

This manual is for service engineers.

There are several models of DL3750+ DOT MATRIX PRINTER.

This manual covers all models.

This manual consists of two parts : Parts List and Parts Drawings.

Parts list has layer structure .You can find assembly levels.

Parts drawing does not have the layer structure.

You can see the model difference from the parts list easily.

There are other manuals for service engineers as follows.

Especially the maintenance manual has close relationship to this manual.

DL3750+ DOT MATRIX PRINTER MAINTENANCE MANUAL

DL3750+ DOT MATRIX PRINTER SCHEMATIC DIAGRAMS

DL3750+ DOT MATRIX PRINTER PRINTER USER'S MANUAL

DL3750+ DOT MATRIX PRINTER PRODUCT DESCRIPTION

This document contains technology relating to strategic products controlled by export control laws of the producing and/or exporting countries. This document or a portion thereof should not be exported (or reexported) without authorization from the appropriate governmental authorities in accordance with such laws.

**FUJITSU ISOTEC LIMITED**

## CONTENTS

<b>1. HOW TO REFER TO THIS MANUAL.....</b>	<b>1-1</b>
<b>2. SPECIFICATIONS.....</b>	<b>2-1</b>
<b>3. PARTS LIST AND PARTS DRAWING OF PRINTER MECHANISM.....</b>	<b>3-1</b>
3.1 DL3750+ Printer.....	3-1
3.2 Upper Cover Assembly.....	3-5
3.3 Lower Cover Assembly.....	3-7
3.4 Mechanism Assembly.....	3-9
3.5 Paper Unit Assembly.....	3-11
3.6 Carrier Unit Assembly.....	3-13

# 1. HOW TO REFER TO THIS MANUAL

Example:

No.	Composition & Quantity	Specification	Parts name (Description)	Spare Part Number	Remarks
1-9	1	KA02004-G125	UPPER COVER ASSEMBLY	KA02008-D965	
1	1	KA02004-Y120	UPPER COVER		
2	1	KA02004-Y161	SOUND PROOF A		
3	1	KA02004-Y529	U SHEET		
4	1	KA02004-Y122	INTER LOCK SWITCH LEVER		
5	1	KA02004-Y123	KNOB		
6	1	KA02004-Y128	OP SHEET		
7	6	KA02004-Y125	LED LENS		
8	1	KA02004-Y126	OP SWITCH A		
9	4	KA02004-Y127	OP SWITCH B		
10-12	1	KA02004-G130	FRONT COVER ASSEMBLY	KA02008-D958	
10	1	KA02004-Y130	FRONT COVER		
11	1	KA02004-Y162	SOUND PROOF B		
12	1	KA02004-Y131	CLEAR COVER		
13-16	1	KA02004-G132	SOUND PROOF COVER ASSEMBLY	KA02008-D960	
13	1	KA02004-Y132	SOUND PROOF COVER		
14	3	KA02004-Y133	RIB UNIT		
15	1	KA02004-Y163	SOUND PROOF C		
16	1	KA02004-Y166	SOUND PROOF F		

- This figure shows the item number of part in the drawing.
- These columns show the construction levels. A higher level part consists of the following lower level parts listed until the quantity of the next part appears at the same level. See example.
- m-n shows an assembly or unit consisting of more than one part. The front cover sub assembly of DL3750+ consists of a front cover ,a sound proof B ,a clear cover.
- These parts are at the same level and belong to the same upper level part.
- The spare part number shows recommended spare part.

## 2. SPECIFICATION

The table below lists standard models of the DL3750+ printer.

No.	Specification	Voltage		Interface			Area	Remarks
		100V	200V	Centro	RS	USB		
1	KA02008-B103	✓		✓		✓	For FCI	
2	KA02008-B108	✓		✓		✓	For FTL	
3	KA02008-B111		✓	✓		✓	For FEL	COUNTRY KIT
4	KA02008-B136		✓	✓		✓	For FSBT	
5	KA02008-B203	✓		✓	✓		For FCI	
6	KA02008-B219		✓	✓	✓		For ASIA	
7	KA02008-B251		✓	✓	✓		For FAL	
8	KA02008-B303	✓		✓			For FCI	
9	KA02008-B308	✓		✓			For FTL	
10	KA02008-B311		✓	✓			For FEL	COUNTRY KIT

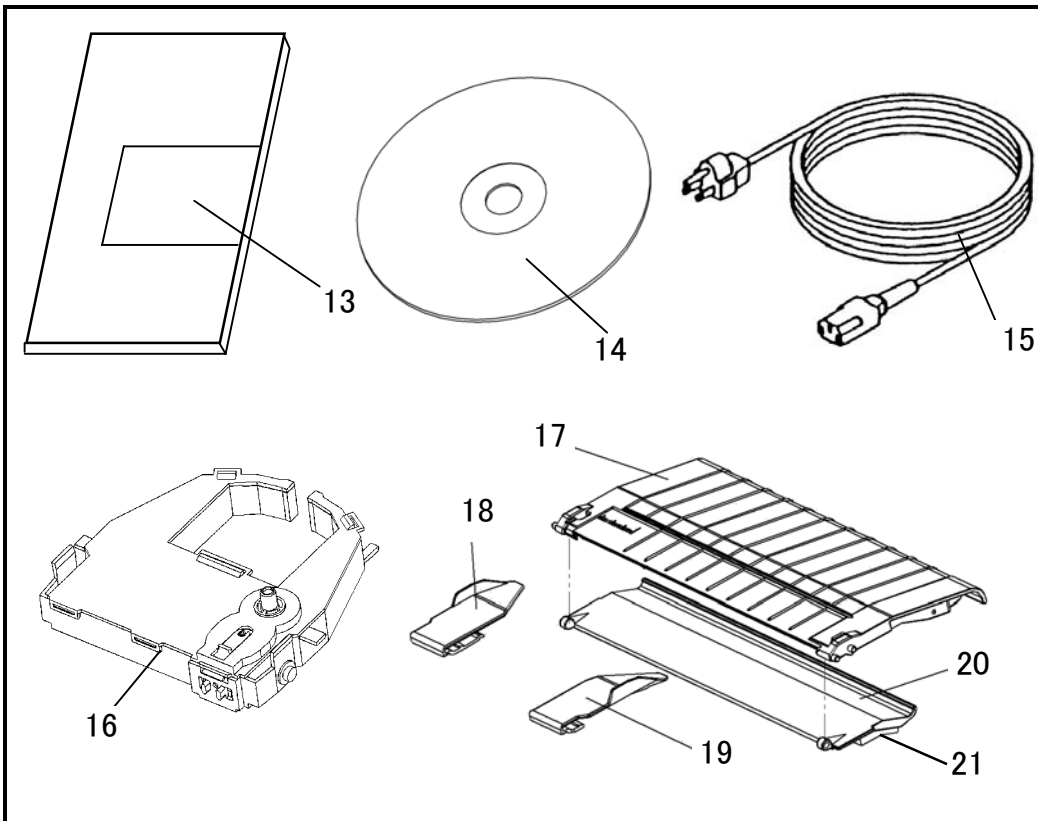
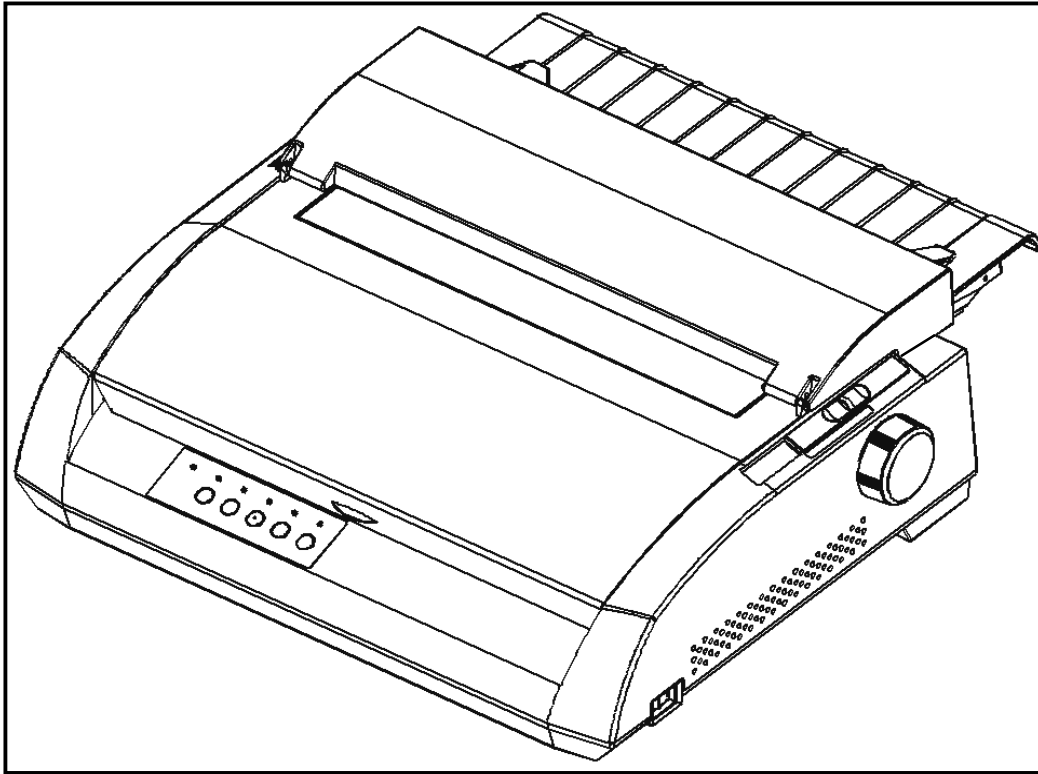
## 2.1 UNIT CONSTRUCTION TABLE

The table below lists standard models of the DL3750+ printer.

No.	Specification	AC Cord	User's manual	Ribbon Cassette CA02374-	Lower C. Assembly KA02008-	Upper C. Assembly KA02004-	ROM Board KA02004-
1	KA02008-B103	CA98001-5982	C147-E046-****	D101	D103	G125	J101
2	KA02008-B108	CA98001-5982	C147-E046-****	D101	D108	G125	J101
3	KA02008-B111	—	C147-E046-****	D101	D111	G125	J101
4	KA02008-B136	—	C147-E046-****	D101	D136	G125	J136
5	KA02008-B203	CA98001-5982	C147-E046-****	D101	D203	G125	J201
6	KA02008-B219	CA98001-4319 CA98001-4428	C147-E046-****	D101	D219	G125	J201
7	KA02008-B251	CA98001-5983	C147-E046-****	D101	D251	G125	J201
8	KA02008-B303	CA98001-5982	C147-E046-****	D101	D303	G125	J201
9	KA02008-B308	—	C147-E046-****	D101	D308	G125	J201
10	KA02008-B311	—	C147-E046-****	D101	D311	G125	J201

### 3.PARTS LIST AND PARTS DRAWING OF PRINTER MECHANISM

#### 3.1 DL3750+ Printer

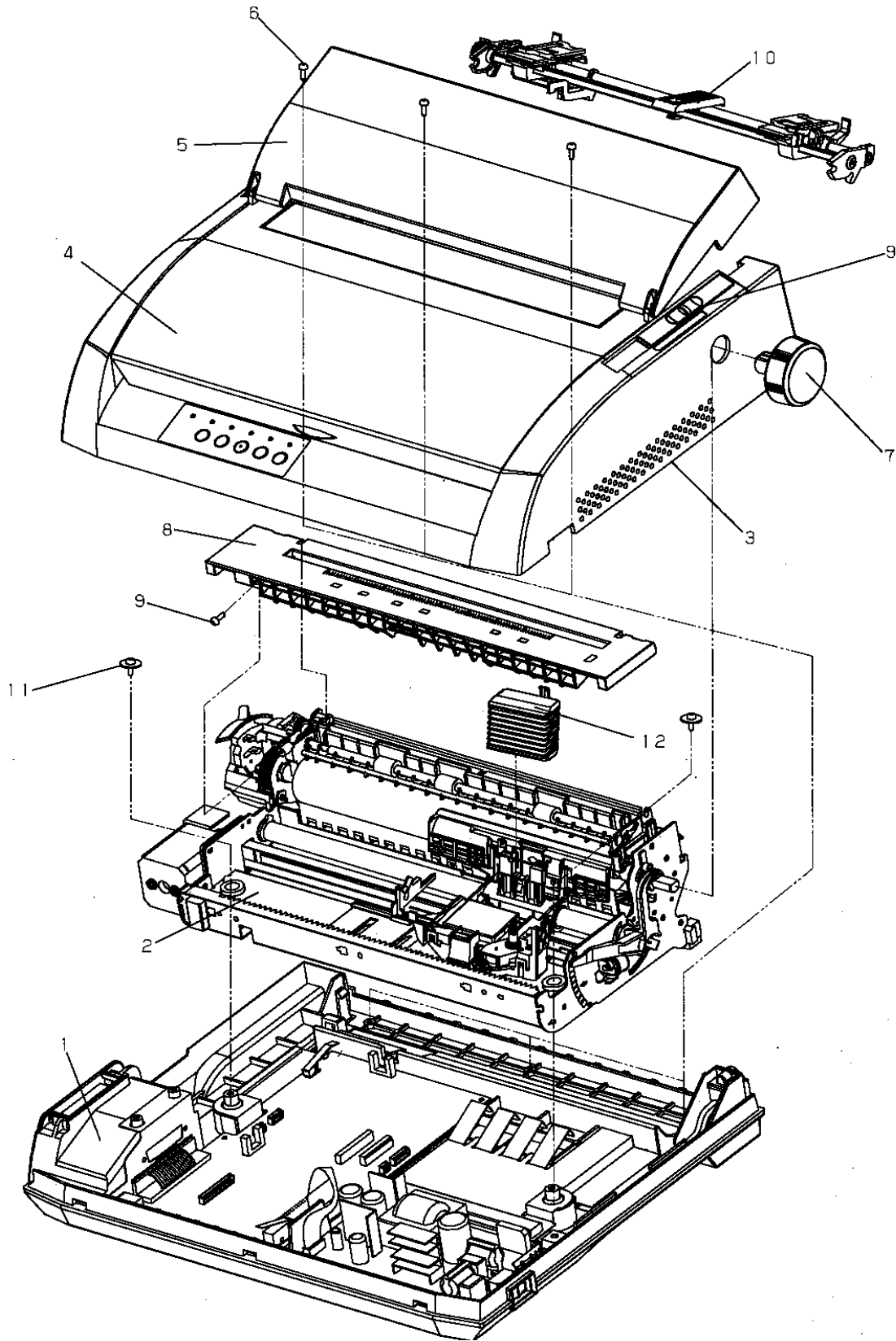




3.1 DL3750+ Printer

No.	Composition & Quantity	Specification	Parts name (Description)	Spare parts number	Remarks
1		KA02008-B103	DL3750+(PARALLEL+USB)		
1		KA02008-B108	DL3750+(PARALLEL+USB)		
1		KA02008-B111	DL3750+(PARALLEL+USB)		
1		KA02008-B136	DL3750+(PARALLEL+USB)		
1		KA02008-B203	DL3750+(PARALLEL+RS232C)		
1		KA02008-B219	DL3750+(PARALLEL+RS232C)		
1		KA02008-B251	DL3750+(PARALLEL+RS232C)		
1		KA02008-B303	DL3750+(PARALLEL)		
1		KA02008-B308	DL3750+(PARALLEL)		
1		KA02008-B311	DL3750+(PARALLEL)		
	1	KA02008-C103	PRINTER UNIT(PARALLEL+USB)		
	1	KA02008-C108	PRINTER UNIT(PARALLEL+USB)		
	1	KA02008-C111	PRINTER UNIT(PARALLEL+USB)		
	1	KA02008-C136	PRINTER UNIT(PARALLEL+USB)		
	1	KA02008-C203	PRINTER UNIT(PARALLEL+RS232C)		
	1	KA02008-C219	PRINTER UNIT(PARALLEL+RS232C)		
	1	KA02008-C251	PRINTER UNIT(PARALLEL+RS232C)		
	1	KA02008-C303	PRINTER UNIT(PARALLEL)		
	1	KA02008-C308	PRINTER UNIT(PARALLEL)		
	1	KA02008-C311	PRINTER UNIT(PARALLEL)		

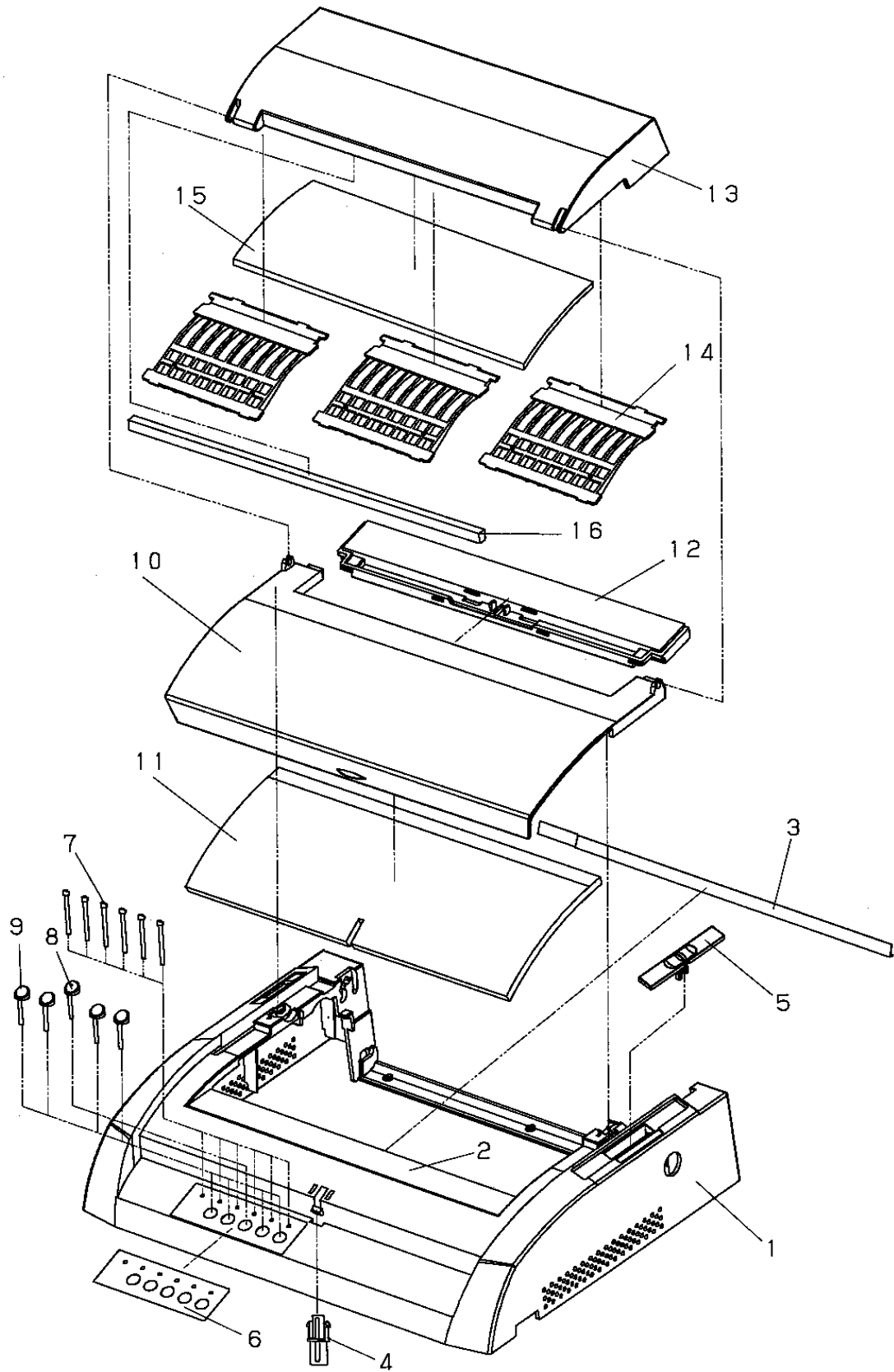
3.1 DL3750+ Printer(continued)



3.1 DL3750+ Printer(continued)

No.	Composition & Quantity		Specification	Parts name (Description)	Spare parts number	Remarks
1		1	KA02008-D103	LOWER COVER UNIT		
		1	KA02008-D108	LOWER COVER UNIT		
		1	KA02008-D111	LOWER COVER UNIT		
		1	KA02008-D136	LOWER COVER UNIT		
		1	KA02008-D203	LOWER COVER UNIT		
		1	KA02008-D219	LOWER COVER UNIT		
		1	KA02008-D251	LOWER COVER UNIT		
		1	KA02008-D303	LOWER COVER UNIT		
		1	KA02008-D308	LOWER COVER UNIT		
		1	KA02008-D311	LOWER COVER UNIT		
2		1	KA02008-F155	MECHA UNIT	KA02008-D955	
3		1	KA02004-G125	UPPER COVER ASSEMBLY	KA02008-D965	
4		1	KA02004-G130	FRONT COVER ASSEMBLY	KA02008-D958	
5		1	KA02004-G132	SOUND PROOF COVER ASSEMBLY	KA02008-D960	
6		3	CA98010-5565	TAPPING SCREW		
7		1	KA02004-Y150	PLATEN KNOB	KA02008-D980	
8		1	KA02004-G560	EJECTION COVER ASSEMBLY	KA02008-D959	
9		1	CA98010-5568	TAPPING SCREW		
10		1	KA02004-F600	TRACTOR UNIT	KA02008-D957	
11		2	KA02004-Y214	SCREW		
12		1	CA02281-F718	PRINT HEAD	CA02281-E718	
		1	D370-4020-0839	LABEL		
13		1	KA02008-Y820	QUICK START GUIDE		
14		1	KA02008-D850	CD-ROM		
15		1	CA98010-4319	AC CABLE		
		1	CA98010-4428	AC CABLE		
		1	CA98001-5982	AC CABLE		
16		1	CA02374-D101	RIBBON CASSETTE		
17~21	1		KA02004-G140	SHEET GUIDE ASSEMBLY	KA02008-D964	
17		1	KA02004-Y140	SHEET GUIDE		
18		1	KA02004-Y141	SHEET GUIDE L		
19		1	KA02004-Y142	SHEET GUIDE R		
20~21		1	KA02004-G143	REAR COVER ASSEMBLY		
20		1	KA02004-Y143	REAR COVER		
21		1	KA02004-Y164	SOUND PROOF D		
		1	KA02008-Y880	WARRANTY CARD		For FCI

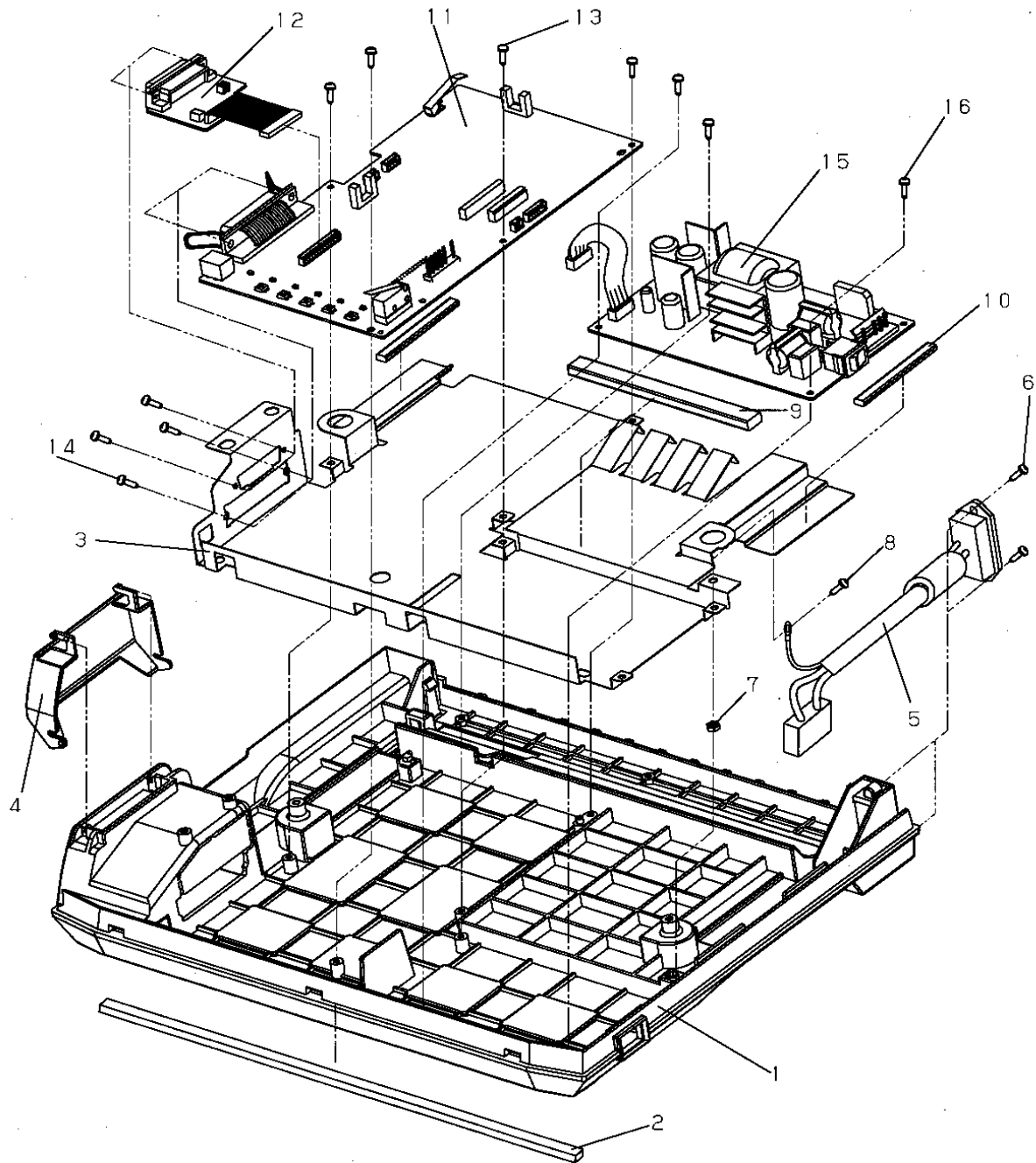
### 3.2 Upper Cover Assembly



### 3.2 Upper Cover Assembly

No.	Composition & Quantity				Specification	Parts name (Description)	Spare parts number	Remarks
1~9	1				KA02004-G125	UPPER COVER ASSEMBLY	KA02008-D965	
1	1				KA02004-Y120	UPPER COVER		
2	1				KA02004-Y161	SOUND PROOF A		
3	1				KA02004-Y529	U SHEET		
4	1				KA02004-Y122	INTER LOCK SWITCH LEVER		
5	1				KA02004-Y123	KNOB	KA02008-D983	
6	1				KA02004-Y128	OP SHEET		
7	6				KA02004-Y125	LED LENS		
8	1				KA02004-Y126	OP SWITCH A		
9	4				KA02004-Y127	OP SWITCH B		
10~12	1				KA02004-G130	FRONT COVER ASSEMBLY	KA02008-D958	
10	1				KA02004-Y130	FRONT COVER		
11	1				KA02004-Y162	SOUND PROOF B		
12	1				KA02004-Y131	CLEAR COVER		
13~16	1				KA02004-G132	SOUND PROOF COVER ASSEMBLY	KA02008-D960	
13	1				KA02004-Y132	SOUND PROOF COVER		
14	3				KA02004-Y133	RIB UNIT		
15	1				KA02004-Y163	SOUND PROOF C		
16	1				KA02004-Y166	SOUND PROOF F		

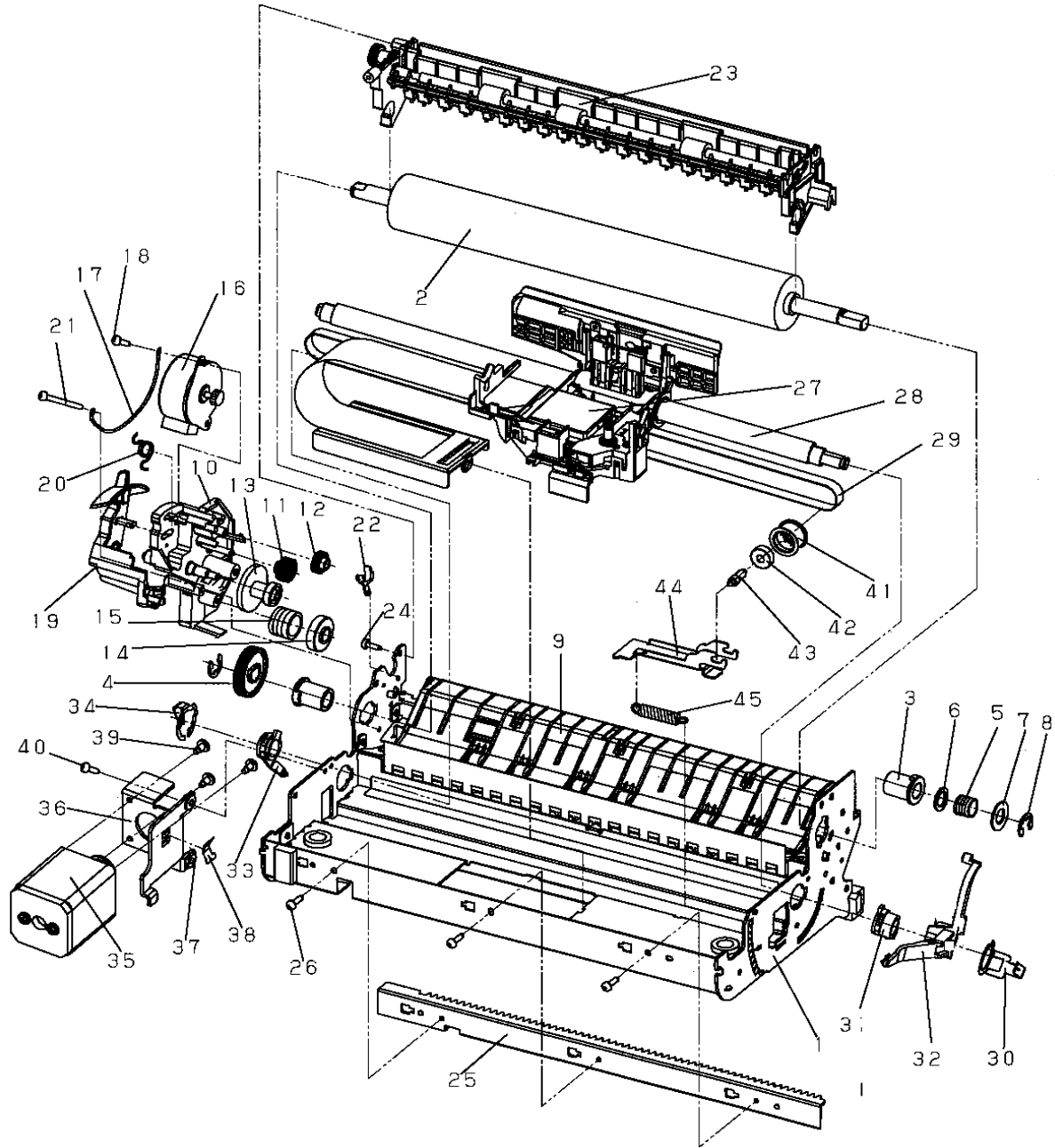
### 3.3 Lower Cover Assembly



### 3.3 Lower Cover Assembly

No.	Composition & Quantity				Specification	Parts name (Description)	Spare parts number	Remarks
1~16	1				KA02008-D103	LOWER COVER UNIT		
	1				KA02008-D108	LOWER COVER UNIT		
	1				KA02008-D111	LOWER COVER UNIT		
	1				KA02008-D136	LOWER COVER UNIT		
	1				KA02008-D203	LOWER COVER UNIT		
	1				KA02008-D219	LOWER COVER UNIT		
	1				KA02008-D251	LOWER COVER UNIT		
	1				KA02008-D303	LOWER COVER UNIT		
	1				KA02008-D308	LOWER COVER UNIT		
	1				KA02008-D311	LOWER COVER UNIT		
		1			KA02004-G100	LOWER COVER ASSEMBLY	KA02008-D966	
	1		1		KA02004-Y100	LOWER COVER		
	2		1		KA02004-Y167	RUBBER SPONGE		
	3		1		KA02004-Y101	SHIELD PLATE		
	4		1		KA02004-Y121	INF COVER	KA02008-D984	
	5		1		KA02004-G110	AC INLET ASSEMBLY	KA02008-D967	
	6		2		CA98010-5569	TAPPING SCREW		
	7		1		CA98010-5572	NUT		
	8		1		CA98010-5571	SCREW		
	9		1		KA02004-Y105	GASKET A		
	10		2		KA02004-Y107	GASKET B		
	11		1		KA02004-J101	ROM BOARD SK	KA02008-D990	
			1		KA02004-J136	ROM BOARD SK	KA02008-D990	
			1		KA02004-J201	ROM BOARD SK	KA02008-D991	
	12		1		CA20160-B81X	SERIAL BOARD		
	13		4		CA98010-5564	TAPPING SCREW		
	14		2		CA98010-5561	SCREW		
	15		1		KA02951-0030	POW UNIT(100V)	KA02008-D996	
			1		KA02951-0035	POW UNIT(200V)	KA02008-D997	
	16		3		CA98010-5564	TAPPING SCREW		

### 3.4 Mechanism Assembly

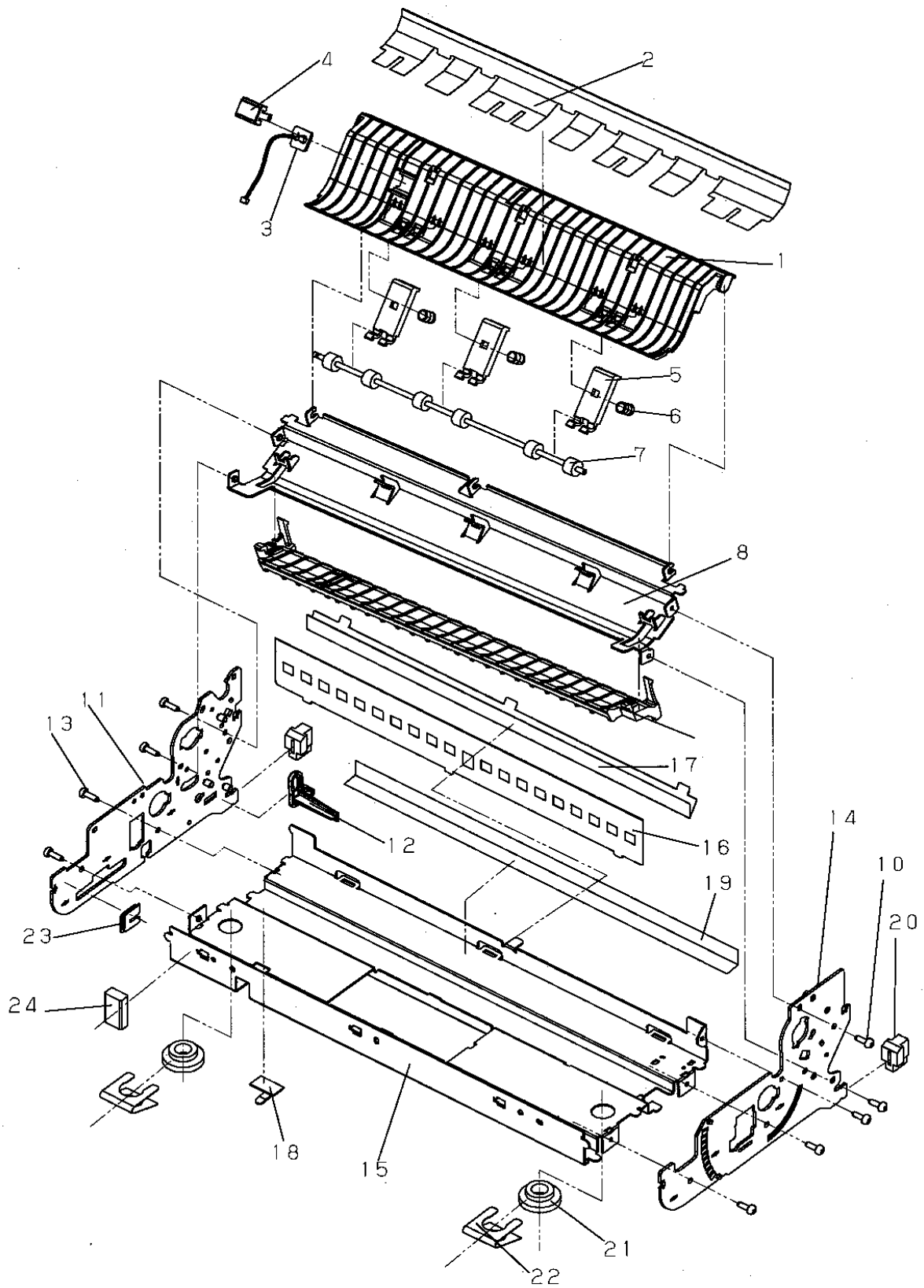




### 3.4 Mechanism Assembly

No.	Composition & Quantity				Specification	Parts name (Description)	Spare parts number	Remarks
1~45	1				KA02008-F155	MECHA UNIT	KA02008-D955	
1	1				KA02004-F106	FRAME UNIT		
2	1				KA02004-G501	PLATEN ROLL	KA02008-D962	
3	2				KA02004-Y507	PLATEN BEARING		
4	1				KA02004-Y503	PLATEN GEAR		
5	1				KA02004-Y504	PLATEN SPRING		
6	1				KA02004-Y505	PLATEN SPACER 1		
7	1				KA02004-Y506	PLATEN SPACER 2		
8	2				F6-ER8-SUS	E RING		
9	1				KA02004-F510	PAPER UNIT		
10~20	1				KA02004-G530	GEAR ASSEMBLY	KA02008-D968	
10		1			KA02004-Y530	GEAR HOLDER		
11		1			KA02004-Y531	GEAR A		
12		1			KA02004-Y532	GEAR D		
13		1			CA02312-Y422	GEAR B		
14		1			CA02312-Y425	GEAR C		
15		1			CA02312-Y426	GEAR SPRING		
16		1			KA02004-0101	LF MOTOR	KA02008-D982	
17		1			KA02004-G533	FG CABLE		
18		1			CA98010-5568	TAPPING SCREW		
19		1			KA02004-Y535	O/C LEVER	KA02008-D981	
20		1			CA02312-Y427	PS SPRING		
21		1			CA98010-5567	TAPPING SCREW		
22		1			KA02004-Y565	BEARING L		
23		1			KA02004-G550	EJECTION FRAME ASSEMBLY	KA02008-D971	
24		1			CA98010-5568	TAPPING SCREW		
25		1			KA02004-Y310	GUIDE STAY		
26		3			CA98010-5566	TAPPING SCREW		
27		1			KA02004-F355	CARRIER UNIT	KA02008-D956	
28~30	1				KA02004-F301	STAY SHAFT ASSEMBLY	KA02008-D969	
28		1			KA02004-Y301	STAY SHAFT		
29		2			KA02004-Y302	COLLAR		
30		1			KA02004-Y307	FG PLATE SSR		
31		1			KA02004-Y304	ADJUST LEVER R		
32		1			KA02004-Y305	COPY CONTROL LEVER		
33		1			KA02004-Y303	ADJUST LEVER L		
34		1			KA02004-Y306	FG PLATE SSL		
35~40	1				KA02004-F316	SP MOTOR UNIT		
35		1			KA02004-G316	SP MOTOR SUB ASSEMBLY	KA02008-D961	
36		1			KA02004-Y317	SP MOTOR BRACKET		
37		2			KA02004-Y321	RUBBER		
38		1			CA02312-Y306	FG PLATE A		
39		3			CA98010-5560	SCREW		
40		1			KA02004-Y320	SCREW		
41~45	1				KA02004-G331	TENSION PULLY ASSEMBLY		
41		1			KA02004-Y331	TENSION PULLY		
42		1			CA80409-0058	BEARING		
43		1			KA02004-Y332	SHAFT		
44		1			KA02004-Y333	TENSION BRACKET		
45		1			KA02004-Y332	TENSION SPRING		
		1			D370-4020-0839	LABEL		

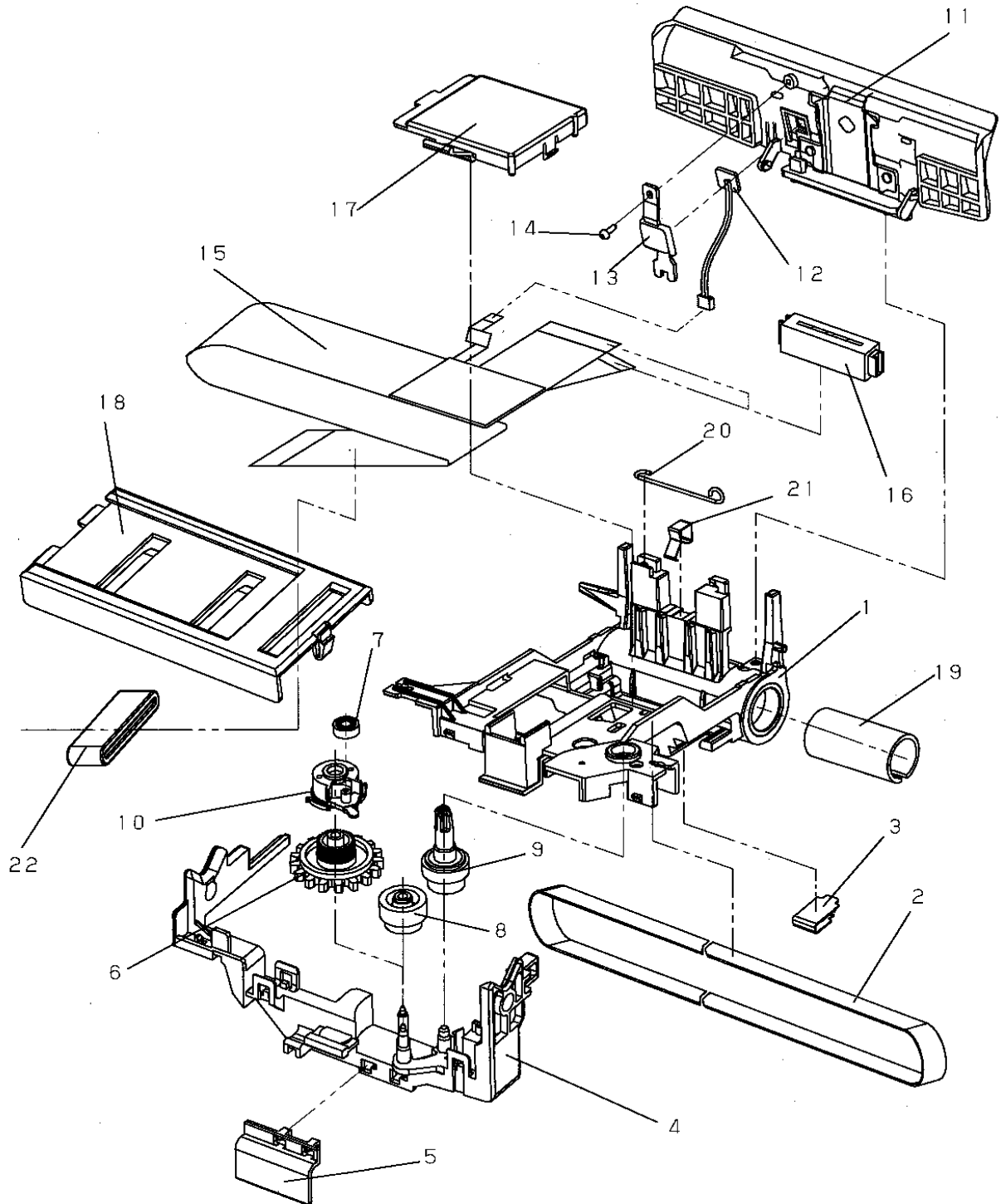
### 3.5 Paper Unit Assembly



### 3.5 Paper Unit Assembly

No.	Composition & Quantity			Specification	Parts name (Description)	Spare parts number	Remarks
1~9	1			KA02004-F510	PAPER UNIT		
1		1		KA02004-Y510	UPPER GUIDE		
2		1		KA02004-G516	S.SHEET SUB ASSEMBLY		
3		1		KA02004-G511	PSS PCA	KA02008-D963	
4		1		KA02004-Y512	PSS COVER		
5		3		KA02004-Y513	SPRING HOLDER C		
6		3		KA02004-Y514	NIP SPRING		
7		1		KA02004-G515	ROLLER C ASSEMBLY		
8		1		KA02004-Y520	REAR STAY		
9		1		KA02004-Y525	LOWER GUIDE		
10	4			CA98010-5566	TAPPING SCREW		
11		1		KA02004-G201	FRAME L ASSEMBLY		
12		1		KA02004-Y536	OC CAM		
13		2		CA98010-5566	TAPPING SCREW		
14		1		KA02004-G202	FRAME R ASSEMBLY		
15~19		1		KA02004-G203	MAIN STAY ASSEMBLY		
15			1	KA02004-Y203	MAIN STAY		
16~17			1	KA02004-G527	PUSHING SHEET ASSEMBLY		
16			1	KA02004-G526	PUSHING SHEET SUB ASSEMBLY		
17			1	KA02004-Y528	SHEET		
18			1	CT-K-103G	CODE KEEP		
19			1	KA02004-Y523	SHEET		
20		2		KA02004-Y211	RUBBER FOOT R		
21		2		CA02313-Y007	RUBBER FOOT B		
22		2		KA02004-Y215	FG SPRING		
23		1		CA02312-Y311	RUBBER BUSH 2		
24		1		KA02004-Y106	GASKET B		

### 3.6 Carrier Unit Assembly



### 3.6 Carrier Unit Assembly

No.	Composition & Quantity			Specification	Parts name (Description)	Spare parts number	Remarks
1~22	1			KA02004-F355	CARRIER UNIT	KA02008-D956	
1		1		KA02004-G350	CARRIER ASSEMBLY		
2		1		KA02004-0105	TIMING BELT		
3		1		CA02312-Y389	BELT CRAMP		
4~10		1		KA02004-F360	RIBBON FEED ASSEMBLY		
4~5			1	KA02004-G360	RIBBON BRACKET ASSEMBLY		
4			1	KA02004-Y360	RIBBON BRACKET		
5			1	KA02004-Y363	LES PLATE		
6			1	KA02004-Y361	RF GEAR		
7			1	D860-1164-X330	GEAR C		
8			1	CA02312-Y363	IDLE GEAR		
9			1	KA02004-G366	RF SHAFT ASSEMBLY		
10			1	CA02312-Y365	ARM		
11~14		1		KA02008-G370	CARD GUIDE ASSEMBLY	KA02008-D970	
11			1	KA02004-G371	CARD GUIDE ASSEMBLY		
12			1	KA02004-G375	TOF SENSOR ASSEMBLY		
13			1	KA02004-Y376	SENSOR COVER		
14			1	CA98010-5570	TAPPING SCREW		
			1	KA02008-Y372	LABEL		
15~16		1		KA02004-G387	CARRIER CABLE ASSEMBLY		
15			1	KA02004-Y388	CARRIER CABLE 1		
15			1	KA02004-Y389	CARRIER CABLE 2		
16			1	CT-AKW-S40A	CONNECTOR		
17			1	KA02004-Y391	CABLE HOLDER C		
18			1	KA02004-Y392	CABLE HOLDER S		
19			1	KA02004-Y305	FELT		
20			1	CA02312-Y356	SPRING	KA02008-D985	
21			1	D860-1164-X317	LEAF SPRING		
22			1	CT-FRC-40-12-13	FERRITE CORE		